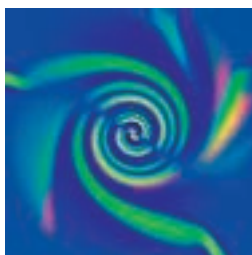


417 950

Lenze

New sizes!
up to 125 Nm



moditorque

Spring-operated brakes
BFK457-□□

Product information

The new spring-operated brakes from Lenze

Compact modular design for quick installation

Thanks to our quality standards for research, material selection, production, and assembly, the new BFK457 spring-operated brakes from Lenze meet the highest demands. These electromagnetically released brakes are applied where rapid deceleration or defined holding of inertial masses are required.

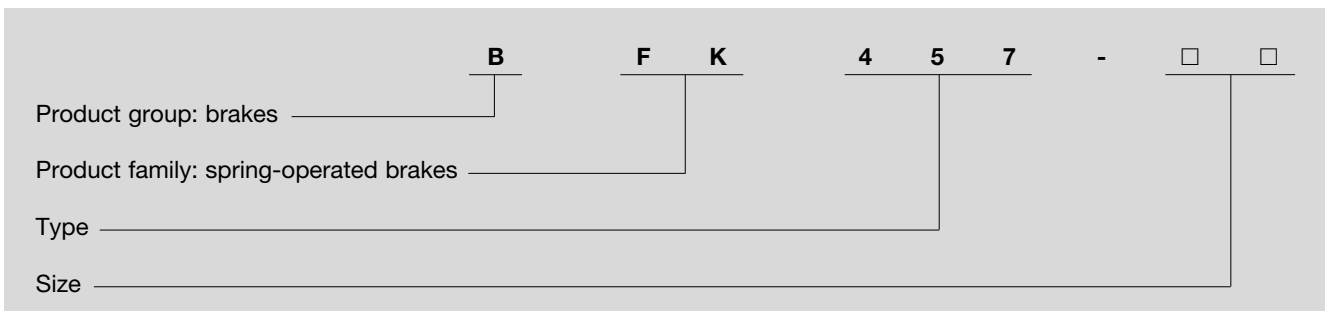
Since the braking force is generated by pressure springs, the braking torque, which is generated by friction, is available when no current is applied – even in the event of mains failure. The brake is electromagnetically released.

Application areas:

- General mechanical engineering
- Motor engineering
- Vehicles for the disabled
- Wood processing machines
- Automation technology
- Sports and recreation
- Indexing tables
- Handling and transportation
- Hoists
- Material-handling technology



Product key



Not coded:
 Connection voltage, braking torque and bore diameter of the hub – the possible variants can be obtained from the technical data and the order form.

Spring-operated brake BFK457-□□

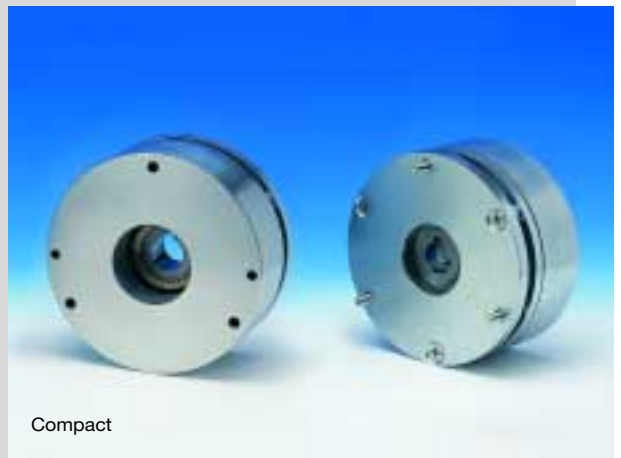
Size 03/04/05

- Braking torques: 0.5–2 Nm (3 sizes)
- Central spring
- Compact design: Completely mounted with rotor and flange

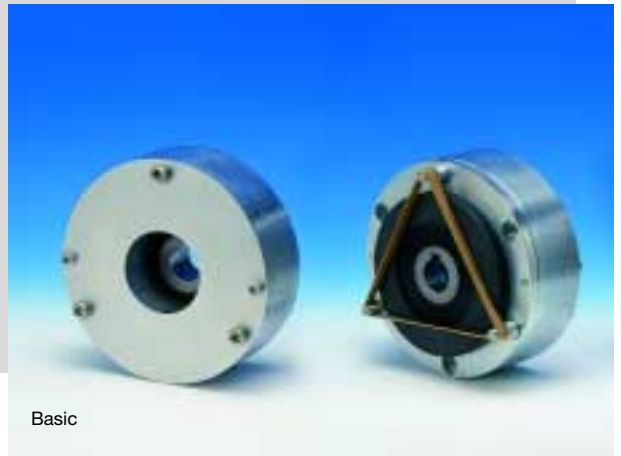


Size 06/08/10/12/14/16

- Braking torques: 4–125 Nm (6 sizes)
- Single springs
- Emergency hand release
- Design:
 - Compact: Completely mounted with rotor and flange
 - Basic: Stator complete with rotor



Compact



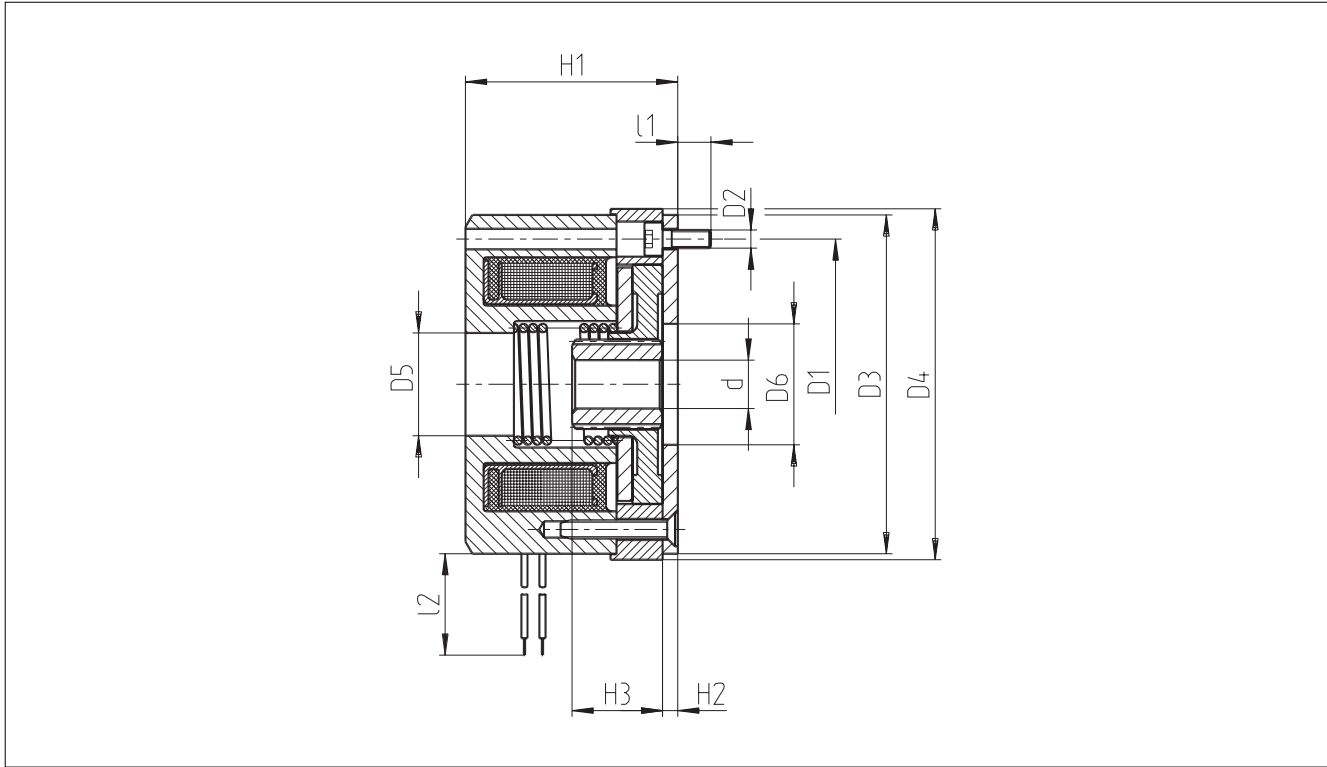
Basic

Other features:

- Standard voltages 24V and 205V DC (other voltages on request)
- Insulation class F (155 °C)
- Compact design with flange – therefore small volume
- Easy assembly through integrated fixing screws
- No fixed bearing required

Technical data

Spring-operated brake BFK457-03/04/05



Size	M _{rat.}	P _{20°}	d ^{H7}	d ^{H7} _{max}	D1	D2	D3	D4	D5	D6	H1	H2	H3	I1	I2	S _{lü}	S _{lümax}	m
03	0.5	9	6/7/9	9	48	3 x M3	56	58	17	17	34.7	2.5	15	5.5	400	0.12*	0.4	0.4
04	1	12.5	7/8/10	10	58	3 x M3	65	67	20	20	34.7	3.5	15	4.5	400			0.5
05	2	16	8/10/11/12	12	66	3 x M4	75	77	24	30	37.7	3.5	15	4.5	400			0.7

* Minimum air gap, the actual value is determined by the sum tolerances of the individual components

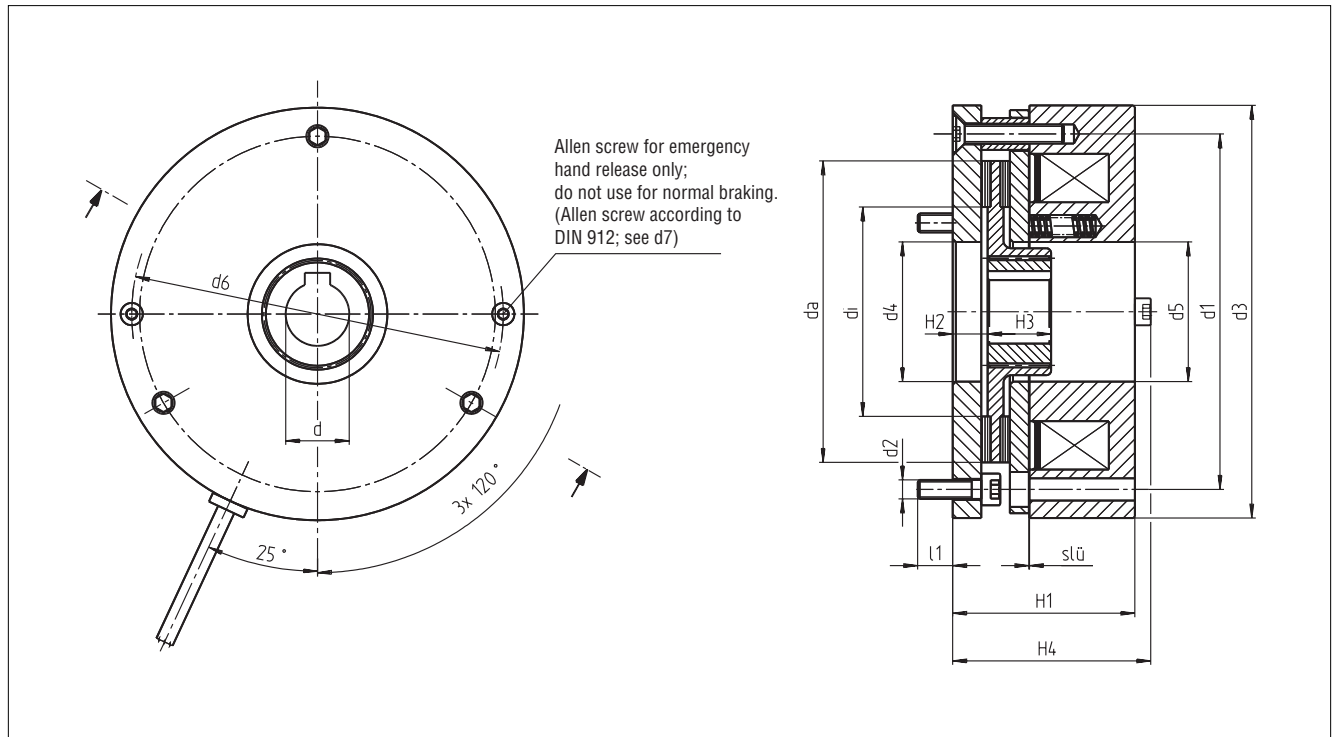
Size	M _{rat.} [Nm]	max. speed Δn_{omax} [min ⁻¹]		max. perm. friction work per operation Q _E [J]	Transition operating frequency S _{hü} [h ⁻¹]	Operating times [s] with S _{Lrated}			
		Braking during operation	Emergency braking			DC switching		Release	
						t ₁₁	t ₁₂	t ₁	t ₂
03	0.5	3000	12400	800	100	0.009	0.006	0.015	0.016
04	1			1200	90	0.017	0.008	0.025	0.019
05	2			1800	80	0.014	0.012	0.026	0.023

- Standard voltages: 24 V and 205 V DC
- M_{rat.}: Rated torque in Nm referred to n = 100 min⁻¹; min. braking torque with run-in friction components
Important: Braking torque depends on the speed, see Operating Instructions
- P₂₀: Coil power at 20 °C in W

- Standard keyway according to DIN 6885/1-P9
- D2: Hexagon socket screws according to DIN 912
- I2: Length of connecting cable
- m: Mass in kg
- All dimensions in mm

Technical data

Spring-operated brake BFK457-06/08/10/12/14/16 Compact design: Completely mounted with rotor and flange



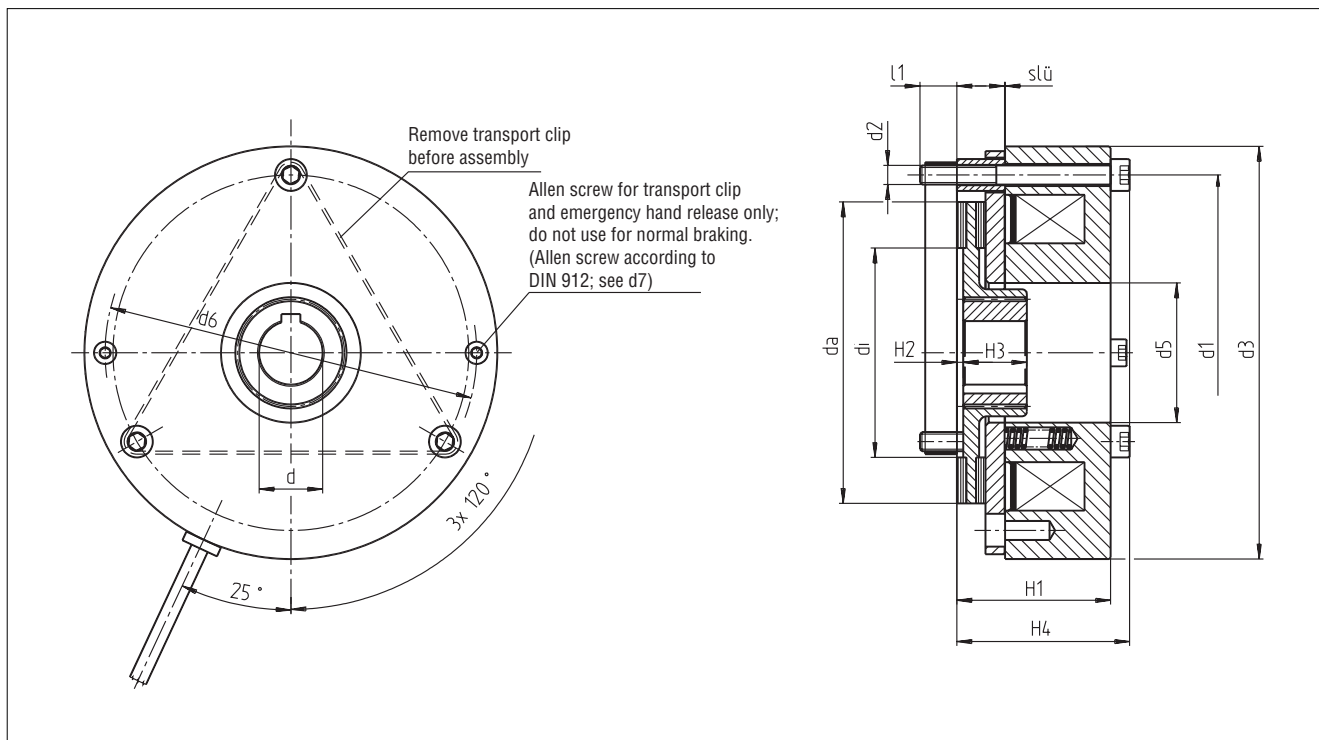
Size	M _{rat.}	M _K max.	P ₂₀	d _{J7} prov.	d ^{H7} standard	d1	d2	d3	d4	d5	d6	d7	d _a	d _i	H1	H2	H3	H4	l1	l2	S _{l_{ii}}	S _{l_{ii}} max with M _{rat.}	S _{l_{ii}} max with M _{rat.} max	m (kg)
06	4	6	20	10	11/12/14/15	72	3xM4	84	31	31	77	M4x30	60	40	41.3	7.5	18	45.3	6	400	0.2	0.6	0.4	1.1
08	8	12	25	10	11/12/14/15/20	90	3xM5	102	42	41.5	93.5	M5x35	77	47	49.8	8.5	20	54.8	9	400	0.2	0.6	0.45	1.9
10	16	23	30	10	15/20	112	3xM6	130	44	44	117	M5x40	95	66	56.4	10	20	61.4	11	400	0.2	0.7	0.5	3.8
12	32	46	40	14	20/25	132	3xM6	150	52	52	136.3	M5x45	115	70	62.4	10	25	67.4	11	400	0.3	0.8	0.5	5.7
14	60	90	50	14	20/25/30	145	3xM8	165	60	60	150	M6x55	124	80	77.3	13	30	83.3	14	400	0.3	0.8	0.5	8.6
16	80	125	55	15	25/30/35/38	170	3xM8	190	70	70	174.5	M6x60	149	104	83.5	13.3	30	89.5	14	600	0.3	0.9	0.6	12.0

Size	M _{rat.} [Nm]	max. speed Δn _{omax} [min ⁻¹]	max. perm. friction work per operation Q _E [J]	Transition operating frequency S _{hü} [h ⁻¹]	Operating times [s] with standard rated torque and S _L rated DC switching			
					t ₁₁	t ₁₂	t ₁	Release t ₂
06	4	12400	3000	79	0.029	0.019	0.048	0.037
08	8	10100	7500	50	0.060	0.035	0.095	0.042
10	16	8300	12000	40	0.035	0.060	0.095	0.100
12	32	6700	24000	30	0.045	0.053	0.098	0.135
14	60	6000	30000	28	0.050	0.057	0.107	0.240
16	80	5300	36000	27	0.071	0.050	0.127	0.275

- Standard voltages for: Size 06 – 12: 24 V; 205 V
Size 14 – 16: 24 V; 42 V; 205 V
- M_{rat.}: Rated torque in Nm referred to n = 100 min⁻¹
Important: Braking torque depends on the speed, see Operating Instructions
- P₂₀: Coil power at 20 °C in W
- Standard keyway according to DIN 6885/1-P9
- l2: Length of connecting cable
- m: Mass in kg
- All dimensions in mm

Technical data

Spring-operated brake BFK457-06/08/10/12/14/16 Basic design: Stator complete with rotor



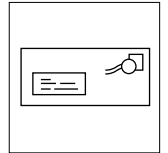
Size	M _{rat.}	M _{rat. max.}	P _{20°}	d _{J7 prov.}	d _{H7 standard}	d1	d2	d3	d5	d6	d7	da	di	H1	H2	H3	H4	l1	l2	S _{jü}	S _{jü max with M_{rat.}}	S _{jü max with M_{rat. max.}}	m (kg)
06	4	6	20	10	11/12/14/15	72	3xM4	84	31	77	M4x30	60	40	35.3	1	18	39.3	6	400	0.2	0.6	0.4	0.9
08	8	12	25	10	11/12/14/15/20	90	3xM5	102	41.5	93.5	M5x35	77	47	42.8	1.5	20	47.8	9	400	0.2	0.6	0.45	1.5
10	16	23	30	10	15/20	112	3xM6	130	44	117	M5x40	95	66	48.4	2	20	54.4	11	400	0.2	0.7	0.5	3.0
12	32	46	40	14	20/25	132	3xM6	150	52	136.3	M5x45	115	70	54.4	2	25	60.4	11	400	0.3	0.8	0.5	4.7
14	60	90	50	14	20/25/30	145	3xM8	165	60	150	M6x55	124	80	66.3	2	30	74.3	14	400	0.3	0.8	0.5	7.1
16	80	125	55	15	25/30/35/38	170	3xM8	190	70	174.5	M6x60	149	104	72.5	2.25	30	80.5	14	600	0.3	0.9	0.6	10.0

Size	M _{rat.} [Nm]	max. speed Δn _{omax} [min ⁻¹]	max. perm. friction work per operation Q _E [J]	Transition operating frequency S _{hü} [h ⁻¹]	Operating times [s] with standard rated torque and S _{Lrated} DC switching			
					t ₁₁	t ₁₂	t ₁	t ₂
06	4	12400	3000	79	0.029	0.019	0.048	0.037
08	8	10100	7500	50	0.060	0.035	0.095	0.042
10	16	8300	12000	40	0.035	0.060	0.095	0.100
12	32	6700	24000	30	0.045	0.053	0.098	0.135
14	60	6000	30000	28	0.050	0.057	0.107	0.240
16	80	5300	36000	27	0.071	0.050	0.127	0.275

- Standard voltages for: Size 06–12: 24 V; 205 V
Size 14–16: 24 V; 42 V; 205 V
- M_{rat.}: Rated torque in Nm referred to n = 100 min⁻¹
Important: Braking torque depends on the speed, see Operating Instructions
- P_{20°}: Coil power at 20 °C in W

- Standard keyway according to DIN 6885/1-P9
- l2: Length of connecting cable
- m: Mass in kg
- All dimensions in mm

Order form



Recipient: **Lenze**
Lenze GmbH & Co KG Bremsen

Postal code / city: _____

Fax: _____

Spring-operated brake BFK457-□□

Sender _____

Company _____

Customer No. _____

Street / P.O. box _____

Order No. _____

Postal code / city _____

Issued by _____

Delivery address* _____

Telephone _____

Invoice recipient* _____

Date of delivery _____

* Please state, if different from sender. Date _____

Signature _____

Order quantity BFK457

Price / piece _____

- Size 03 04 05
 Compact: Completely mounted with rotor and flange
 06 08 10 12 14 16
 Compact: Completely mounted with rotor and flange
 Basic: Stator complete with rotor

- Voltage 24 V 205 V 42 V (size 14 and 16)
(other voltages on request)

Braking torque	03	04	05	06	08	10	12	14	16
<input type="checkbox"/>	0.5	1	2	4	8	16	32	60	80
<input type="checkbox"/>	-	-	-	6	12	23	46	90	125

Hub Bore diameter in mm
(see technical data, tables)

Price in DM / piece · for Germany: plus VAT

Lenze worldwide

Stammwerk

Head office

Lenze GmbH & Co KG

Postfach 10 13 52
D-31763 Hameln
Telefon ++49 (0)5154 / 82-0
Telefax ++49 (0)5154/82-28 00
E-Mail: Lenze@Lenze.de

Lenze GmbH & Co KG

Anlagenbau

Buchenweg 1
D-31855 Aerzen
Telefon ++49 (0)5154/82-0
Telefax ++49 (0)5154/82-21 00

Lenze GmbH & Co KG Bremsen

Wülmser Weg 5
D-31855 Aerzen
Telefon ++49 (0)5154/82-14 53
Telefax ++49 (0)5154/82-11 04

Lenze GmbH & Co KG

Kleinantriebe

Hans-Lenze-Straße 1
D-32699 Extertal
Telefon ++49 (0)5154/82-0
Telefax ++49 (0)5154/82-14 85

Lenze GmbH & Co KG Service

Breslauer Straße 3
D-32699 Extertal

Mechanical Drives

Telefon ++49 (0)5154/82-16 26
Telefax ++49 (0)5154/82-13 96

Electronic Drives

Telefon ++49 (0)5154/82-11 11
Telefax ++49 (0)5154/82-11 12

Service Helpline

++49 (0)180 5 20 24 26

Lenze Verbindungstechnik GmbH & Co KG

IpF-Landesstraße 1
A-4481 ASTEN
Phone ++43 (0)7224/21 1-0
Telefax ++43 (0)7224/21 19 98

LS Automation GmbH & Co KG

Jakob-Stadler-Platz 11
D-78467 Konstanz
Telefon ++49 (0)7531/9 42 19-0
Telefax ++49 (0)7531/9 42 19 20

Deutschland Germany

Werksniederlassung Nord

Lenze GmbH & Co KG Vertrieb
Domenpark 1
31840 Hessisch Oldendorf
Telefon (0 51 52) 90 36-0
Telefax (0 51 52) 90 36-33/44/55

Werksniederlassung West

Lenze GmbH & Co KG Vertrieb
Postfach 10 12 20
47497 Neukirchen-Vluyn
Kelvinstraße 7
47506 Neukirchen-Vluyn
Telefon (0 28 45) 95 93-0
Telefax (0 28 45) 95 93 93

Werksniederlassung Mitte

Lenze GmbH & Co KG Vertrieb
Postfach 14 63, 35724 Herborn
Westewaldstraße 36
35745 Herborn
Telefon (0 27 72) 95 94-0
Telefax (0 27 72) 5 30 79

Werksniederlassung Südwest

Lenze GmbH & Co KG Vertrieb
Postfach 14 33, 71304 Waiblingen
Schänzle 8, 71332 Waiblingen
Telefon (0 71 51) 9 59 81-0
Telefax (0 71 51) 9 59 81 50

Werksniederlassung Süd

Lenze GmbH & Co KG Vertrieb
Fraunhoferstraße 16
82152 Martinsried
Postfach 11 26, 82141 Planegg
Telefon (0 89) 89 56 14-0
Telefax (0 89) 89 56 14 14

Werksniederlassung Ost

Lenze GmbH & Co KG Vertrieb
Grimmasche Straße 78
04720 Döbeln
Telefon (0 34 31) 66 06-0
Telefax (0 34 31) 66 06 66

weltweit

worldwide

ARGENTINA

E.R.H.S.A.
Girardot 1368
1427 BUENOS AIRES
Phone ++54 (0)11 / 45 54 32 32
Telefax ++54 (0)11 / 45 52 36 11

AUSTRALIA

FCR Motion Technology Pty. Ltd.
Automation Place
23 McArthur's Road
P.O. Box 359
Altona North
3025 MELBOURNE
Phone ++61 (0)3 / 93 99 15 11
Telefax ++61 (0)3 / 93 99 14 31

AUSTRIA

Lenze Antriebstechnik GmbH
IpF-Landesstraße 1
4481 ASTEN
Phone ++43 (0)7224/21 0-0
Telefax ++43 (0)7224/21 09 99

Büro Vorarlberg:

Wiesenweg 1
6960 WOLFRURT
Phone ++43 (0)5574 / 67 89-0
Telefax ++43 (0)5574 / 67 89 66

Büro Wien:

Triester Straße 14/109
2351 WR. NEUDORF
Phone ++43 (0)2236 / 2 53 33-0
Telefax ++43 (0)2236 / 2 53 33-66

Lenze Verbindungstechnik GmbH & Co KG

IpF-Landesstraße 1
4481 ASTEN
Phone ++43 (0)7224/21 1-0
Telefax ++43 (0)7224/21 19 98

BELGIUM

Lenze b.v.b.a
Noorderlaan 133
bus 15
2030 ANTWERPEN
Phone ++32 (0)3 / 54 26 20 0
Telefax ++32 (0)3 / 54 13 75 4

BOSNIA-HERZOGOVINA

see AUSTRIA

BRAZIL

C.D.P. Comp. Imp. Ltda.
Al. Tibérica, 1130 - Vila Ipanema
MAIRIPORA - SP - 07600-000
Phone ++55 (0)11 / 4 30-31 94
Telefax ++55 (0)11 / 4 30-26 07

BULGARIA

see MACEDONIA

CANADA

see USA

CHILE

Sargent S.A.
Tecnica Thomas C. Sargent
S.A.C.s.l., Casilla 166-D
SANTIAGO DE CHILE
Phone ++56 (0)2 / 69 91 52 5
Telefax ++56 (0)2 / 69 83 98 9

Aupi Ltda.

Automation y Proceso Industrial
Camino a Melipilla No. 262
Casilla 80
SANTIAGO DE CHILE
Phone ++56 (0)2 / 81 11 80 4
Telefax ++56 (0)2 / 81 11 10 2

CHINA

Lenze GmbH & Co KG
Beijing Representative Office
Rm. 401
Huaxin Mansion
No. 33,
An Ding Road
Chaoyang District
BEIJING 100029
Phone ++86-10-6441 1470
Telefax ++86-10-6441 1467

CROATIA

see AUSTRIA

CZECH REPUBLIC

Lenze Antriebstechnik GmbH
Informační a poradenské středisko
17. listopadu 510
549 41 ČERVENÝ KOSTELEČ
Phone ++420 (0)441 / 467-111
Telefax ++420 (0)441 / 467-166

DENMARK

Lenze A/S
Vallensbækvej 18A
2605 BRONDBY
Phone ++45 / 46 96 66 66
Telefax ++45 / 46 96 66 60

Büro Jylland:

Leomotor A/S
Enebærvej 11
8653 THEM
Phone ++45 / 46 96 66 66
Telefax ++45 / 46 96 66 80

EGYPT

AL-FARID
Mohamed Farid Hassanen & Co
1349 Kornish El Nile
CAIRO - EL SAHEL
Phone ++20 (0)2 / 20 56 26 7/8/9/0
Telefax ++20 (0)2 / 20 56 27 1

ESTLAND

see FINLAND

FINLAND

Refimex Oy
PL 130, Olarinluoma 12
02201 ESPOO
Phone ++358 (0)9 / 88 66 47 00
Telefax ++358 (0)9 / 88 66 47 99

FRANCE

Lenze S.A.

Z.A. de Chanteloup
Rue Albert Einstein
93603 AULNAY S/S BOIS CEDEX
Phone ++33 (0)1 / 48 79 62 00
Telefax ++33 (0)1 / 48 69 40 99

Succ. Rhône-Alpes:

42, Chemin des Pivoles
69150 DEONCES-CHARPIEU
Phone ++33 (0)4 / 72 15 40 20
Telefax ++33 (0)4 / 78 26 88 36

Agence Sud-Ouest:

14, rue Capus
31400 TOULOUSE
Phone ++33 (0)5 / 61 14 85 37
Telefax ++33 (0)5 / 61 14 85 38

Agence Est:

24, rue des Roses
67870
GRIESHEIM-PRÉS-MOLSHEIM
Phone ++33 (0)3 / 88 38 09 20
Telefax ++33 (0)3 / 88 38 17 24

GREECE

George P. Alexandris S.A.
12K. Mavromichali Str.
185 45 PIRAEUS
Phone ++30 (0)1 / 41 11 84 15
Telefax ++30 (0)1 / 4 11 81 71
4 12 70 58

183 Monastirou Str.

546 27 THESSALONIKI
Phone ++30 (0)31 / 5 56 65 04
Telefax ++30 (0)31 / 51 18 15

HUNGARY

Lenze Antriebstechnik
Handelsgesellschaft mbH
2040 BUDAÖRS
Gyár utca 2.
Postfach 322.
Phone ++36 (0)23 / 501-320
Telefax ++36 (0)23 / 501-339

ICELAND

see DENMARK

INDIA

Emco Lenze Pvt. Ltd.
106 Sion Kollivada Road, Sion (East)
MUMBAI 400 022
Phone ++91 (0)22 / 40 71 81 6
40 76 37 1
40 76 43 2
40 77 45 3
Telefax ++91 (0)22 / 40 90 42 3

INDONESIA

P.T. Futurindo Globalsatya
Jl.: Prof. Dr. Latumenten No. 18
Kompleks Perkantoran
Kota Grogol Permai Blok A 35
JAKARTA 11460
Buero 1:
Phone ++62 (0)21 / 766 42 34
765 86 23
Telefax ++62 (0)21 / 766 44 20
Buero 2:
Phone ++62 (0)21 / 567 96 31
567 96 32
Telefax ++62 (0)21 / 566 87 50

IRAN

Tavan Ressan Co.,
P.O. Box 19395-5177
Ayatollah-Sadr Exp.Way,
South Dastour Ave.
Habibi Str. No. 44
TEHRAN 19396
Phone ++98 (0)21 / 26 67 66
26 26 55
26 92 99
Telefax ++98 (0)21 / 20 02 88 3

ISRAEL

Greensphon Engineering Works LTD
P.O.Box 10 108 Haifa-Bay 26110.
20128 MILANO
Phone ++972 (0)4 / 87 21 18 7
Telefax ++972 (0)4 / 87 26 23 1

ITALY

Gerit Trasmissioni S.p.A.
Viale Monza 338
91028 MILANO
Phone ++39 (0)02 / 27 09 81
Telefax ++39 (0)02 / 27 09 82 92

JAPAN

Miki Pulley Co., Ltd.
1-39-7 Komatsubara
Zama-city
KANAGAWA 228-8577
Phone ++81 (0)462/58 16 61
Telefax ++81 (0)462/58 17 04

LUXEMBOURG

see BELGIUM

MACEDONIA

Lenze Antriebstechnik GmbH
Pretstavništvo Skopje
Nikola Rusinski str. III/A/2
91000 SKOPJE
Phone ++389 (0)91 / 39 00 90
Telefax ++389 (0)91 / 39 00 91

MALAYSIA

D.S.C. ENGINEERING SDN BHD
40M, Jalan SS21/58
Damansara Utama
47400 Petaling Jaya
SELANGOR D.E.
Phone ++60 (0)3 / 77 25 62 43
77 25 62 46
Telefax ++60 (0)3 / 77 29 50 31

MEXICO

see USA

NETHERLANDS

Lenze B.V., Postbus 31 01
5203 DC'S-HERTOGENBOSCH
Ploegweg 15
5232 BR'S-HERTOGENBOSCH
Phone ++31 (0)73 / 64 56 50 0
Telefax ++31 (0)73 / 64 56 51 0

NEW ZEALAND

Tranz Corporation
112 Mays Road, Onehunga
P.O. Box 12-320, Penrose
AUCKLAND
Phone ++64 (0)9 / 63 45 51 1
Telefax ++64 (0)9 / 63 45 51 8

NORWAY

Dtc- Lenze as
Stalbakken 5
2005 RÆLINGEN
Phone ++47 / 64 80 25 10
Telefax ++47 / 64 80 25 11

PHILIPPINES

Jupp & Company Inc.
Unit 2111, Cityland 10, Tower II
6817 Ayala Ave. Cor. H. V.
De La Costa St.
MAKATI, METRO MANILA
Phone ++63 (0)2 / 89 43 89 8
89 21 50 6
Telefax ++63 (0)2 / 89 32 07 4

POLAND

Lenze-Rotiv Sp. z o.o.
ul. Rozdzińskiego 188b
40-203 KATOWICE
Phone ++48 (0)32 / 2 03 97 73
Telefax ++48 (0)32 / 7 81 01 80

Lenze Systemy Automatyki Sp. z o.o.

Ul. Kocięwska 30 A
87-100 TORUŃ
Phone ++48 (0)56 / 6 55 94 93
6 55 94 94
6 55 94 95
6 58 40 00
6 58 40 10
Telefax ++48 (0)56 / 6 55 94 96

PORTUGAL

Costa Leal el Victor
Electronica-Pneumatica, Lda.
Rua Prof. Augusto Lessa, 269,
Apart. 52053
4202-801 PORTO
Phone ++351-22 / 5 50 85 20
Telefax ++351-22 / 5 02 40 05

ROMANIA

see AUSTRIA

RUSSIA

Inteldrive
1 Buhvostova Street 12/11
Korpus 18 Office 322
MOSCOW 107258
Phone ++7 (0)095 / 963 96 86
Telefax ++7 (0)095 / 962 67 94

SINGAPORE

see MALAYSIA

SLOVAC REPUBLIC

ECS Služby spol. s.r.o.
Staromlynska 29
82106 BRATISLAVA
Phone ++421 (0)7 / 45 25 96 06
Telefax ++421 (0)7 / 45 25 96 06

SLOVENIA

Lenze pogonska tehnika GmbH
Podružnica Ljubljana
C.A. Bitenca 68
1000 LJUBLJANA
Phone ++386 61 / 15 026 15
Telefax ++386 61 / 15 026 10

SOUTH AFRICA

S.A. Power Services (Pty.) Ltd.
P.O. Box 11 37
RANDBURG 2125
Phone ++27 (0)11 / 78 71 80 1
Telefax ++27 (0)11 / 78 75 04 0

SOUTH KOREA

see CHINA

SPAIN

Lenze Transmisiones, S.A.
Mila I Fontanals, 135-139
08205 SABADELL (Barcelona)
Phone ++34 93 / 72 07 68 0
Telefax ++34 93 / 71 22 54 1

SWEDEN

Lenze Transmissions AB
Box 10 74
58110 LINKÖPING
Phone ++46 (0)13 / 35 58 00
Telefax ++46 (0)13 / 10 36 23

SWITZERLAND

Lenze Bachofen AG
Ackerstraße 42, Postfach
8610 USTER-ZÜRICH
Phone ++41 (0)1 / 94 41 21 2
Telefax ++41 (0)1 / 94 41 23 3

Vente Suisse Romande:

Route de Prilly 25
1023 CRISSIER
Phone ++41 (0)21 / 63 72 19 0
Telefax ++41 (0)21 / 63 72 19 9

TAIWAN

ACE Pillar Trading Co. Ltd.
No. 12, Lane 61, Sec. 1,
Kuanfu Road,
San-Chung City
TAIPEI HSIEN
Phone ++886 (0)2 / 299 58 40 0
Telefax ++886 (0)2 / 299 53 46 6

THAILAND

Weinmann & Schneider Co., Ltd.
429 Moo 7
Theparak Road
Tambol Theparak
Amphur Muang
SAMUTPRAKARN 10270
Phone ++66 (0)2 / 38 35 13 4
38 35 63 36
38 36 60 68
38 36 57 6

Telefax ++66 (0)2 / 38 35 63 7

TURKEY

LSE Elektrik Elektronik Makine
Otomasyon Mühendislik
San. ve Tic. Ltd. Sti.
Gülsuyu mah. Zuhal Cad.
Fil Yokusu No:8
81530 MALTEPE/ISTANBUL
Phone ++90 (0)216 / 441 00 43
441 61 04
459 67 26
459 66 18

Telefax ++90 (0)216 / 399 41 26

UNITED KINGDOM/EIRE

Lenze Ltd.
Caxton Road
BEDFORD MK 41 OHT
Phone ++44 (0)1234 / 32 12 00
Telefax ++44 (0)1234 / 26 18 15

USA

Lenze Corp.
175 Route 46 West
FAIRFIELD NJ 07004
Phone ++1 973 / 227-5311
Telefax ++1 973 / 227-7423

Lenze Corp.
1730 East Logan Avenue
EMPORIA KS 66 801
Phone ++1 316 / 34 38 40 1
Telefax ++1 316 / 34 22 59 5

Lenze Corp.
300 Petty Road
Suite E
LAWRENCEVILLE, GA 30043
Phone ++1 770 / 962-3696
Telefax ++1 770 / 962-2983

YUGOSLAVIA

see MACEDONIA

Lenze GmbH & Co KG Bremsen, Postfach 101352, D-31763 Hameln, Site: Aerzen,
Wülmser Weg 5, D-31855 Aerzen, Phone ++49 (0) 5154 82-14 53, Telefax ++49 (0) 5154 82-11 04
E-Mail: Lenze@Lenze.de · Internet: <http://www.Lenze.com>

Technical alterations reserved - Printed in Germany 11.00 by ME/LHM · 00/07 en